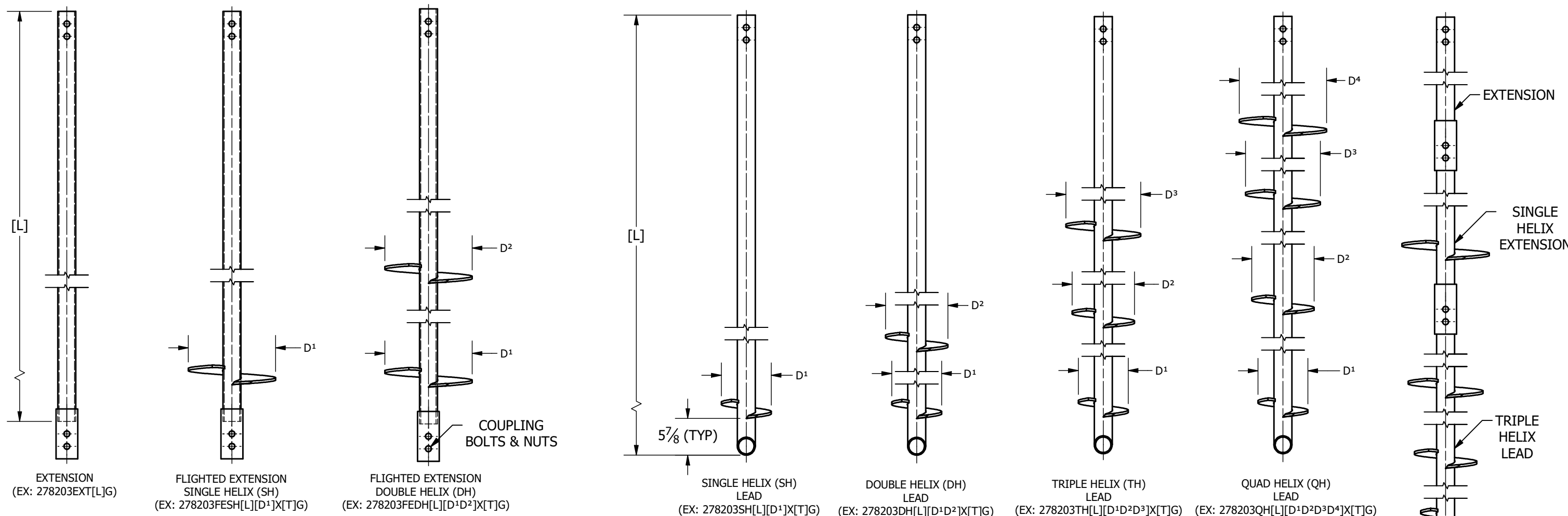


MAXIMUM TORQUE NOT TO EXCEED 8,300 FT-LBS.
 ULTIMATE CAPACITY IS 74.7 KIPS BASED ON A CAPACITY TO
 TORQUE RATIO OF $k_t = 9 \text{ FT}^{-1}$

2 7/8" O.D. X 0.203" W.T. HELICAL LEADS & EXTENSIONS

ICC-ES AC358 - REPORT #ESR-3750

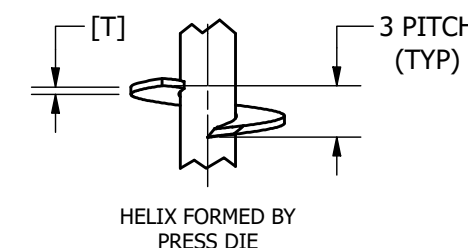
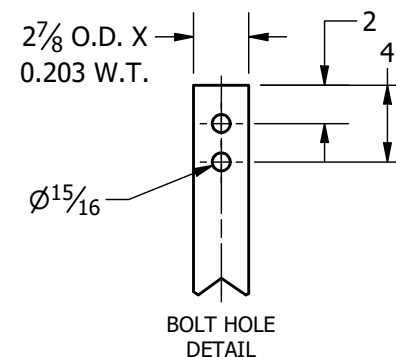


NOTES:

- PILE SHAFT TO MEET OR EXCEED REQUIREMENTS OF ASTM A500, 80 KSI.
- PLATE STEEL TO MEET OR EXCEED REQUIREMENTS OF ATSM A572, GRADE 50.
- ALL HELICES ARE FORMED BY PRESS DIE. LEADING EDGE OF HELICES ARE TAPERED TO IMPROVE INSTALLATION CAPABILITIES.
- HELIX SPACING IS THREE (3) TIMES THE DIAMETER OF THE LOWER HELIX. SPACING OF LEADING HELIX ON FLIGHTED EXTENSIONS IS THREE (3) TIMES THE DIAMETER OF THE LAST HELIX ON THE PRECEDING SHAFT.
- STANDARD HELIX DIAMETERS ARE 8", 10", 12", & 14". STANDARD HELIX THICKNESS IS 3/8".
- ALL WELDING TO BE PERFORMED BY CERTIFIED WELDOR IN ACCORDANCE WITH AWS D1.1 STRUCTURAL WELDING CODE - STEEL.
- HOT DIP GALVANIZING PER ASTM A153/ASTM A123. BARE STEEL IS ALSO AVAILABLE.
- (2) 3/4" DIAMETER X 4 1/2" LONG GALVANIZED HEAVY HEX BOLT ASTM A325 AND (2) 3/4" GALVANIZED HEAVY HEX NUT ASTM A194 (GRADE 2H).
- HELICAL PILE ASSEMBLIES MANUFACTURED IN ACCORDANCE WITH ICC-ES AC358 (IDEAL REPORT #ESR-3750) ACCEPTANCE CRITERIA FOR HELICAL FOUNDATION SYSTEMS AND DEVICES.

IDEAL PART # ABBREVIATIONS:

- 278 = SHAFT DIAMETER
- 203 = SHAFT WALL THICKNESS
- EXT = EXTENSION
- FE = FLIGHTED EXTENSION
- SH, DH, TH, QH = SINGLE, DOUBLE, TRIPLE, OR QUAD. HELIX
- [L] = SHAFT LENGTH IN FEET (EXAMPLE: 7' = 7)
- [D] = HELIX DIAMETER(S) IN INCHES (EXAMPLE: 10" = 10)
- X = X (SEPARATES HELIX DIAMETER(S) AND HELIX THICKNESS)
- [T] = HELIX THICKNESS (EXAMPLE: 3/8" = 38)
- G = GALVANIZED



| | |
|---|----------|
| DRAWN AP | 4/3/2020 |
| CHECKED LRS | 4/7/2020 |
| IDEAL MANUFACTURING, INC. 999 PICTURE PARKWAY WEBSTER, NY 14580 800-789-4810 WWW.IDL-GRP.COM | |



PROPRIETARY AND CONFIDENTIAL
 THE INFORMATION CONTAINED IN THIS
 DRAWING IS THE SOLE PROPERTY OF
 IDEAL MANUFACTURING, INC. ANY
 REPRODUCTION IN PART OR AS A
 WHOLE WITHOUT WRITTEN
 PERMISSION OF IDEAL
 MANUFACTURING, INC. IS PROHIBITED.

| | | | | |
|--|-----------|------------------|----------|--------------|
| NOT TO SCALE ALL UNITS IN INCHES U.N.O. | SIZE B | DWG NO 278203 | REV 0 | SHEET 1 OF 1 |
|--|-----------|------------------|----------|--------------|